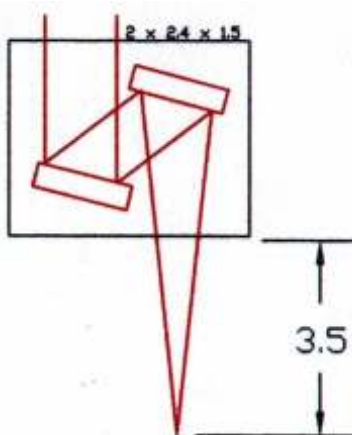


RUGGED-LONG LIFE

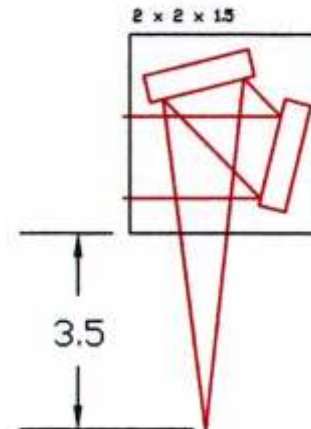


POWER RATING CO₂
1 KW CW with conductive cooling

INPUT APERTURE
0.8" Diameter Max

FOCAL LENGTH
5.0 inches

WORKING DISTANCE
3.5 INCHES



SPAWR's focus modules are specially designed to provide a sharply focused spot of high intensity laser radiation for cutting, welding, heat treating and various research applications. The focused spot will not change size or shift its location during long high power runs. The all reflective metal mirror system utilizes high volume production techniques with special computer-designed aspheric surfaces. To offer the combined advantage of low cost, easy alignment and long life in harsh environments, SPAWR offers two standard models, a 90 off-axis and a close-packed Z. Both models offer a generous working distance of 3.5 inches. Custom designs are available. Call us for information on standard and custom accessories.

GENERAL INFORMATION:

SPAWR is a major supplier of state-of-the-art metal mirrors for use in very high power laser research. The highest quality metal mirrors that have provided the highest CO₂ laser damage threshold are provided by SPAWR.